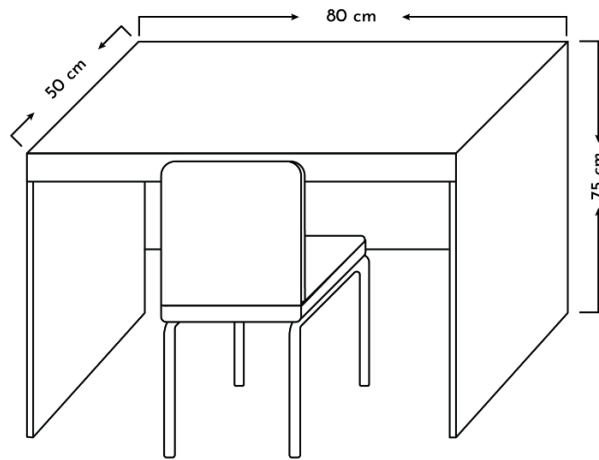


To All NCR (Metro Manila) examinees for the July 2024 INTERIOR DESIGN Licensure Examinations:

Please be informed that the tables to be used for the licensure examinations in the examination venue are with dimensions stated in the attached photos.



For those who will opt to bring extra table for their personal use/supplies, please be informed that the allowed table should **ONLY** have a dimension not exceeding 110 Centimeters in **LENGTH** and 40-45 Centimeters in **WIDTH**. Tables exceeding the said dimensions will not be allowed.

For your information.

**PROFESSIONAL REGULATION COMMISSION****MANILA
INTERIOR DESIGNER
JULY 2, 3 & 4, 2024****School :** DOÑA ELENA TOWER**Address :** P. SANCHEZ CORNER 3RD STREET, STA.MESA, MANILA**Building :** PENT HOUSE A**Floor :** 11TH**Room/Grp No. :**
GROUP 1

Seat No.	Last Name	First Name	Middle Name	School Attended
1	ABAD	CHRISTABELLE DENISE	GAW	UNIVERSITY OF SANTO TOMAS
2	ABAD	KELLY ANDREI	CANO	DE LA SALLE- COLLEGE OF SAINT BENILDE, INC.
3	ABENES	LESLIE ANN	MANALON	UNIVERSITY OF SANTO TOMAS
4	ACIDERA	CREESSE WAYNE JONAH	CATLI	UNIVERSITY OF SAINT LOUIS-TUGUEGARAO
5	AGAMAO	KYLA MAE	SALON	UNIVERSITY OF NORTHERN PHILIPPINES-VIGAN
6	AGAPULTOS	KRISTELLE NICOLE	BACLIG	UNIVERSITY OF NORTHERN PHILIPPINES-VIGAN
7	AGDEPPA	JOHN KEVIN	VINLUAN	EULOGIO (AMANG) RODRIGUEZ INSTITUTE OF SCIENCE & TECHNOLOGY
8	AGERO	DANIELLE LOUISE	CHING	UNIVERSITY OF SANTO TOMAS
9	AGUILAR	JUMEL	AMBAIT	EASTERN VISAYAS STATE UNIVERSITY (for.LIT)TACLOBAN
10	AGUSTIN	MARIA MIKAELA ALEXANDRA	DIMPAS	MAPUA UNIVERSITY (FOR M.I.T.) - MANILA
11	ALBA	MIKAELA JAMELA	ALONZO	UNIVERSITY OF THE PHILIPPINES-DILIMAN
12	ALBACARO	GIO GABRYL	DELFIN	UNIVERSITY OF SAN AGUSTIN
13	ALCOZER	KAREN	VALENZUELA	DE LA SALLE- COLLEGE OF SAINT BENILDE, INC.
14	ALDECOA	JEMIMAH EVE	MANLAPAZ	UNIVERSITY OF SANTO TOMAS
15	ALIMBUYUGIN	MICHELLE NATALIE	TRINITARIA	UNIVERSITY OF THE EAST-CALOOCAN
16	ALMIRAÑEZ	JEMIMA BEATX	ALMADRONES	MAPUA UNIVERSITY (FOR M.I.T.) - MANILA
17	ALQASEER-DEL ROSARIO	RUWAYNA	CAYANAN	UNIVERSITY OF THE PHILIPPINES-DILIMAN
18	AMPOC	CRYSTILLE	BULA AY	UNIVERSITY OF SAINT LOUIS-TUGUEGARAO
19	ANADIA	ELIZABETH	MATIBAG	BATANGAS STATE UNIVERSITY - ALANGILAN
20	ANDAL	MHELODY	MANGUERRA	BATANGAS STATE UNIVERSITY - ALANGILAN

REMINDER: USE SAME NAME IN ALL EXAMINATION FORMS. IF THERE IS AN ERROR IN SPELLING AND OTHER DATA KINDLY REQUEST YOUR ROOM WATCHERS TO CORRECT IT ON THE FIRST DAY OF EXAMINATION. REPORT TO YOUR ROOM ON OR BEFORE 6:30 A.M. LATE EXAMINEES WILL NOT BE ADMITTED.

**PROFESSIONAL REGULATION COMMISSION****MANILA
INTERIOR DESIGNER
JULY 2, 3 & 4, 2024****School :** DOÑA ELENA TOWER**Address :** P. SANCHEZ CORNER 3RD STREET, STA.MESA, MANILA**Building :** PENT HOUSE A**Floor :** 11TH**Room/Grp No. :**
GROUP 2

Seat No.	Last Name	First Name	Middle Name	School Attended
1	ANDRADA	NOREEN	ALTUNA	UNIVERSITY OF NORTHERN PHILIPPINES-VIGAN
2	ANG	SOPHIA SETERA	GUINTO	PHILIPPINE WOMEN'S UNIVERSITY-MANILA
3	ANGELES	POCHOLO MIGUEL	SANTOS	UNIVERSITY OF SANTO TOMAS
4	AÑONUEVO	MARIA IVANKA	BAGASALA	UNIVERSITY OF THE PHILIPPINES-DILIMAN
5	APACIBLE	CARMELA BEATRIZ	BAIT	UNIVERSITY OF SANTO TOMAS
6	APOLONIA	DIANNE PATRICIA	EARNSHAW	UNIVERSITY OF SANTO TOMAS
7	AQUINO	JEZZEREI	MAUR	UNIVERSITY OF SANTO TOMAS
8	ARANZANSO	MA. LARA VANESSA	NOMBRADO	PHILIPPINE SCHOOL OF INTERIOR DESIGN
9	ASCAÑO	DANIELLE KATE	DE GUZMAN	UNIVERSITY OF SANTO TOMAS
10	ASUNCION	KRISTEN MARIE	DAWIS	DE LA SALLE- COLLEGE OF SAINT BENILDE, INC.
11	AUSTRIA	GERARD ANGELO	ASILO	BATANGAS STATE UNIVERSITY - ALANGILAN
12	AZURIN	MARIE ANGELICA	VALDEZ	UNIVERSITY OF SANTO TOMAS
13	BADUA	ATRIA MARGARET	MATABIA	PHILIPPINE SCHOOL OF INTERIOR DESIGN
14	BAE	JEI MARI LEIZL	CASILISILIHAN	EULOGIO (AMANG) RODRIGUEZ INSTITUTE OF SCIENCE & TECHNOLOGY
15	BAGRO	MA. STELLA	GANTES	PHILIPPINE SCHOOL OF INTERIOR DESIGN
16	BAGUISI	BRINNE DOMINIC	ESPIRITU	SCHOOL OF FASHION AND THE ARTS (SOFA), INC. - MAKATI
17	BALBACAL	BERNADETTE	POLGEN	BATANGAS STATE UNIVERSITY - ALANGILAN
18	BALUYOT	CZERINA DENISE	PEREZ	UNIVERSITY OF SANTO TOMAS
19	BARRION	SOFIA ANJELIK	BERNAL	DE LA SALLE- COLLEGE OF SAINT BENILDE, INC.
20	BASILIO	MARIANNE GRACE	CEBALLO	UNIVERSITY OF SANTO TOMAS

REMINDER: USE SAME NAME IN ALL EXAMINATION FORMS. IF THERE IS AN ERROR IN SPELLING AND OTHER DATA KINDLY REQUEST YOUR ROOM WATCHERS TO CORRECT IT ON THE FIRST DAY OF EXAMINATION. REPORT TO YOUR ROOM ON OR BEFORE 6:30 A.M. LATE EXAMINEES WILL NOT BE ADMITTED.



MANILA
INTERIOR DESIGNER
JULY 2, 3 & 4, 2024

School : DOÑA ELENA TOWER

Address : P. SANCHEZ CORNER 3RD STREET, STA.MESA, MANILA

Building : PENT HOUSE A

Floor : 11TH

Room/Grp No. :
GROUP 3

Seat No.	Last Name	First Name	Middle Name	School Attended
1	BAUTISTA	JEFFRILENE AIDELA	PILI	UNIVERSITY OF SANTO TOMAS
2	BAYTAN	REICHEL ALESSANDRA	CORTEZ	PHILIPPINE SCHOOL OF INTERIOR DESIGN
3	BELTRAN	CARA DOMINIQUE	RAMOS	PHILIPPINE SCHOOL OF INTERIOR DESIGN
4	BERNAL	REIDEN	OCSILLOS	MAPUA UNIVERSITY (FOR M.I.T.) - MANILA
5	BEROÑA	CHRISTEEN NOELLEE	AQUINO	UNIVERSITY OF SANTO TOMAS
6	BIEN	JUSTINE ANDREA	COMETA	UNIVERSITY OF SANTO TOMAS
7	BIGYAN	MYKA ARLYSSA	EMLANO	PHILIPPINE SCHOOL OF INTERIOR DESIGN
8	BLIN	ANGELA MARIE	BINCAL	LA CONSOLACION COLLEGE-BACOLOD CITY
9	BOMBEO	PAULA JEAN	DE LA CRUZ	UNIVERSITY OF SANTO TOMAS
10	BONIFACIO	RONA BETH		UNIVERSITY OF NORTHERN PHILIPPINES-VIGAN
11	BONINA	MARY ROSE	ENCENARIAL	COLLEGE OF THE HOLY SPIRIT OF MANILA
12	BORREGA	KRISTIEN VINCENT	DURAN	BATANGAS STATE UNIVERSITY - ALANGILAN
13	BUALOY	JANE CHRISTINE MAE	CONDAT	SCHOOL OF FASHION AND THE ARTS (SOFA), INC. - MAKATI
14	BUEN	ZHINTA ANGELLI	REYES	UNIVERSITY OF SANTO TOMAS
15	BUENO	SARAH MONICA	PERCIANO	UNIVERSITY OF SANTO TOMAS
16	BURLUNGAN	REGIE MAE	GONZALES	UNIVERSITY OF SANTO TOMAS
17	BUSTILLO	JULIA MAE	RUIZ	EASTERN VISAYAS STATE UNIVERSITY (for.LIT)TACLOBAN
18	CABAG	BLICELLE ANGELA	GALLENERO	UNIVERSITY OF SAN AGUSTIN
19	CABATAÑA	MEG	SEGOVIA	POLYTECHNIC UNIVERSITY OF THE PHILIPPINES-MAIN-STA. MESA
20	CABILZO	RENEECA DARLA	NAVARRO	PHILIPPINE SCHOOL OF INTERIOR DESIGN

REMINDER: USE SAME NAME IN ALL EXAMINATION FORMS. IF THERE IS AN ERROR IN SPELLING AND OTHER DATA KINDLY REQUEST YOUR ROOM WATCHERS TO CORRECT IT ON THE FIRST DAY OF EXAMINATION. REPORT TO YOUR ROOM ON OR BEFORE 6:30 A.M. LATE EXAMINEES WILL NOT BE ADMITTED.

**PROFESSIONAL REGULATION COMMISSION**

Page 4 of 18

**MANILA
INTERIOR DESIGNER
JULY 2, 3 & 4, 2024****School :** DOÑA ELENA TOWER**Address :** P. SANCHEZ CORNER 3RD STREET, STA.MESA, MANILA**Building :** PENT HOUSE A**Floor :** 11TH**Room/Grp No. :**
GROUP 4

Seat No.	Last Name	First Name	Middle Name	School Attended
1	CABUNGCAL	ANNETTE MARIE	LEGASPI	SCHOOL OF FASHION AND THE ARTS (SOFA), INC. - MAKATI
2	CACHOLA	JON LEE	CRISTOBAL	UNIVERSITY OF SANTO TOMAS
3	CAGUIN	SEAN ARON	AQUINO	BATANGAS STATE UNIVERSITY - ALANGILAN
4	CALUPITAN	REGINE	BALTAZAR	PHILIPPINE SCHOOL OF INTERIOR DESIGN
5	CANTANCIO	JINKY	LAZARTE	LA CONSOLACION COLLEGE-BACOLOD CITY
6	CAPAGUE	VON GRIEL	SADIASA	UNIVERSITY OF SANTO TOMAS
7	CAPISTRANO	MARIA GRAZZIELE	MONTEREY	UNIVERSITY OF SANTO TOMAS
8	CARANGLAN	RACHEL LOIS	SAN LUIS	MAPUA UNIVERSITY (FOR M.I.T.) - MANILA
9	CARANTO	XYZSA KAYE	SAYA-AO	UNIVERSITY OF SANTO TOMAS
10	CARIÑO	AILENE	DIMAS	PHILIPPINE SCHOOL OF INTERIOR DESIGN
11	CARLOS	ANN BERNADETH	GONZALES	COLLEGE OF THE HOLY SPIRIT OF MANILA
12	CASTILLO	MARIE NIKKEI	DEL ROSARIO	UNIVERSITY OF THE PHILIPPINES-DILIMAN
13	CASTILLO	RODA	LATAY	BATANGAS STATE UNIVERSITY - ALANGILAN
14	CASUGBO	MICAH	JAVIER	DE LA SALLE- COLLEGE OF SAINT BENILDE, INC.
15	CATAPANG	REGINE	MULINGBAYAN	BATANGAS STATE UNIVERSITY - ALANGILAN
16	CATAPANG	SHINA MAE	LASCANO	BATANGAS STATE UNIVERSITY - ALANGILAN
17	CAYDA	SHAIRA	LORICA	UNIVERSITY OF SANTO TOMAS
18	CENA	SHEEN RAFAELA	SUAREZ	BATANGAS STATE UNIVERSITY - ALANGILAN
19	CENTENO	BENJAMIN III		UNIVERSITY OF NORTHERN PHILIPPINES-VIGAN
20	CERAFICA	CHRISTINE JOY	TEVES	COLLEGE OF THE HOLY SPIRIT OF MANILA

REMINDER: USE SAME NAME IN ALL EXAMINATION FORMS. IF THERE IS AN ERROR IN SPELLING AND OTHER DATA KINDLY REQUEST YOUR ROOM WATCHERS TO CORRECT IT ON THE FIRST DAY OF EXAMINATION. REPORT TO YOUR ROOM ON OR BEFORE 6:30 A.M. LATE EXAMINEES WILL NOT BE ADMITTED.



MANILA
INTERIOR DESIGNER
JULY 2, 3 & 4, 2024

School : DOÑA ELENA TOWER

Address : P. SANCHEZ CORNER 3RD STREET, STA.MESA, MANILA

Building : PENT HOUSE A

Floor : 11TH

Room/Grp No. :
GROUP 5

Seat No.	Last Name	First Name	Middle Name	School Attended
1	CERBAS	YSSABELA MARIE	MANDADERO	UNIVERSITY OF SAN AGUSTIN
2	CHALLOY	MARIA KATRINA	TOMAS	PHILIPPINE SCHOOL OF INTERIOR DESIGN
3	CHUA	NAODEE MAE	PADILLON	UNIVERSITY OF SANTO TOMAS
4	CIMAFRANCA	JUBI ANNE MARIE	SALAZAR	UNIVERSITY OF SANTO TOMAS
5	CINCO	MARTIN MARIE	GENILSA	UNIVERSITY OF SAN AGUSTIN
6	CLARIN	MABELLE	MENDOZA	SAINT SCHOLASTICA'S COLLEGE
7	CO	ANGEL LYNN	ILAGAN	PHILIPPINE SCHOOL OF INTERIOR DESIGN
8	CONCEPCION	ALYANNA ISABELA	NADAL	DE LA SALLE- COLLEGE OF SAINT BENILDE, INC.
9	CRUZ	CELINE PAULLE	IMPERIO	UNIVERSITY OF SANTO TOMAS
10	CRUZ	GILLIAN	TAGUPA	UNIVERSITY OF SANTO TOMAS
11	CRUZ	JANA LOISE	MENDOZA	PHILIPPINE SCHOOL OF INTERIOR DESIGN
12	CUBE	IRISH MONIQUE	LLEVA	PHILIPPINE SCHOOL OF INTERIOR DESIGN
13	CULTURA	GLENN		UNIVERSITY OF THE PHILIPPINES-DILIMAN
14	DANAY	BLESSI MAE	CASTILLO	UNIVERSITY OF SAN AGUSTIN
15	DANDAN	FRANCES MARIA	PEREZ	UNIVERSITY OF THE PHILIPPINES-DILIMAN
16	DAPITO	PAULINE PORTIA	CULLAR	BATANGAS STATE UNIVERSITY - ALANGILAN
17	DASALLA	MAE NICOLE	BIDES	UNIVERSITY OF NORTHERN PHILIPPINES-VIGAN
18	DATOR	ISOBEL MERICI	CONCEPCION	PHILIPPINE SCHOOL OF INTERIOR DESIGN

REMINDER: USE SAME NAME IN ALL EXAMINATION FORMS. IF THERE IS AN ERROR IN SPELLING AND OTHER DATA KINDLY REQUEST YOUR ROOM WATCHERS TO CORRECT IT ON THE FIRST DAY OF EXAMINATION. REPORT TO YOUR ROOM ON OR BEFORE 6:30 A.M. LATE EXAMINEES WILL NOT BE ADMITTED.



MANILA
INTERIOR DESIGNER
JULY 2, 3 & 4, 2024

School : DOÑA ELENA TOWER

Address : P. SANCHEZ CORNER 3RD STREET, STA.MESA, MANILA

Building : PENT HOUSE A

Floor : 11TH

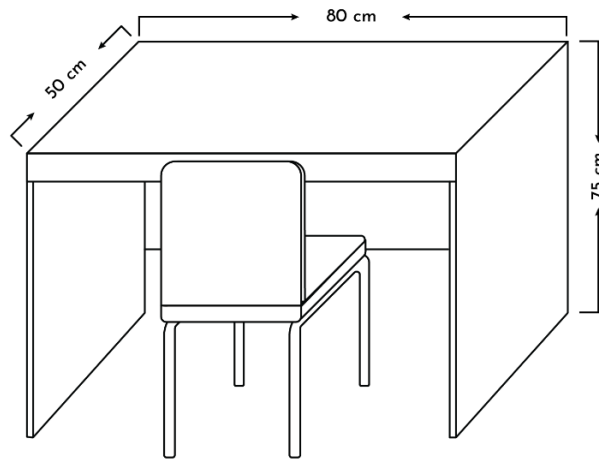
Room/Grp No. :
GROUP 6

Seat No.	Last Name	First Name	Middle Name	School Attended
1	DAYAG	JINKY MAE	PATAPAT	EULOGIO (AMANG) RODRIGUEZ INSTITUTE OF SCIENCE & TECHNOLOGY
2	DAYANGHIRANG	CARLA GIONNA	REVENTAR	DE LA SALLE- COLLEGE OF SAINT BENILDE, INC.
3	DE ASIS	EMILLIE ANNE	PECSON	UNIVERSITY OF SANTO TOMAS
4	DE CASTRO	KIRSTINE JANELLE	VILLAGRACIA	UNIVERSITY OF SANTO TOMAS
5	DE GUZMAN	CHEY	MANAMBIT	PHILIPPINE SCHOOL OF INTERIOR DESIGN
6	DE GUZMAN	KENNETH	DELA CRUZ	EULOGIO (AMANG) RODRIGUEZ INSTITUTE OF SCIENCE & TECHNOLOGY
7	DE JOYA	DORISA GWEN	NEVADO	DE LA SALLE- COLLEGE OF SAINT BENILDE, INC.
8	DE LEON	CLARE NICOLE	TORRES	UNIVERSITY OF SANTO TOMAS
9	DE LEON	MA. KATRINA THERESE	DE MESA	UNIVERSITY OF SANTO TOMAS
10	DE LOZA	BRIGETTE	RECCION	POLYTECHNIC UNIVERSITY OF THE PHILIPPINES-MAIN-STA. MESA
11	DE SILVA	ANTHEA FRANZIEL	LLANETA	UNIVERSITY OF SANTO TOMAS
12	DEFENSOR	KIMBERLY	SOTOR	UNIVERSITY OF SANTO TOMAS
13	DEL ROSARIO	KATRINA	CASPILLO	DE LA SALLE- COLLEGE OF SAINT BENILDE, INC.
14	DEPOSITARIO	DENNICA	VALLESTERO	UNIVERSITY OF SANTO TOMAS
15	DETABLAN	ELLA MAE	EMILIA	LA CONSOLACION COLLEGE-BACOLOD CITY
16	DIANGCO	PATRICIA ANNE	DELOS SANTOS	UNIVERSITY OF SANTO TOMAS
17	DIMANDAL	GOLDA MYKA	PERLAS	UNIVERSITY OF NORTHERN PHILIPPINES-VIGAN
18	DIONSON	JOHN MICHAEL	DIAZ	EULOGIO (AMANG) RODRIGUEZ INSTITUTE OF SCIENCE & TECHNOLOGY
19	DOMETITA	ALLEN XANDER	RIVERA	UNIVERSITY OF SANTO TOMAS
20	DOMINGUEZ	JULIENNE NICOLE	DAWEG	UNIVERSITY OF SANTO TOMAS

REMINDER: USE SAME NAME IN ALL EXAMINATION FORMS. IF THERE IS AN ERROR IN SPELLING AND OTHER DATA KINDLY REQUEST YOUR ROOM WATCHERS TO CORRECT IT ON THE FIRST DAY OF EXAMINATION. REPORT TO YOUR ROOM ON OR BEFORE 6:30 A.M. LATE EXAMINEES WILL NOT BE ADMITTED.

To All NCR (Metro Manila) examinees for the July 2024 INTERIOR DESIGN Licensure Examinations:

Please be informed that the tables to be used for the licensure examinations in the examination venue are with dimensions stated in the attached photos.



For those who will opt to bring extra table for their personal use/supplies, please be informed that the allowed table should **ONLY** have a dimension not exceeding 110 Centimeters in **LENGTH** and 40-45 Centimeters in **WIDTH**. Tables exceeding the said dimensions will not be allowed.

For your information.



MANILA
INTERIOR DESIGNER
JULY 2, 3 & 4, 2024

School : DOÑA ELENA TOWER

Address : P. SANCHEZ CORNER 3RD STREET, STA.MESA, MANILA

Building : PENT HOUSE A

Floor : 11TH

Room/Grp No. :
GROUP 7

Seat No.	Last Name	First Name	Middle Name	School Attended
1	DORIA	DENNISE MIKHAELA	VILLA	UNIVERSITY OF THE PHILIPPINES-DILIMAN
2	DOROL	ANALYN	MABINI	EASTERN VISAYAS STATE UNIVERSITY (for.LIT)TACLOBAN
3	DUMALIANG	ELAIZZA MAEVE	PAGUNTALAN	POLYTECHNIC UNIVERSITY OF THE PHILIPPINES-MAIN-STA. MESA
4	DUMAPIT	ANA MAY	PLATA	BATANGAS STATE UNIVERSITY - ALANGILAN
5	DY-LIM	PLINKY MAE	RESURRECCION	COLLEGE OF THE HOLY SPIRIT OF MANILA
6	EBOL	XENNA	HANOPOLO	UNIVERSITY OF SANTO TOMAS
7	ELCANO	ALMA DEA	SALANGA	UNIVERSITY OF SANTO TOMAS
8	ELISCUPIDEZ	PATRICIA	ALVARADO	UNIVERSITY OF SANTO TOMAS
9	EMBESAN	MARK CHRISTIAN	VISTA	UNIVERSITY OF THE PHILIPPINES-DILIMAN
10	ENRIQUEZ	MA. ALLESSANDRRA NICOLE	ABRIGO	DE LA SALLE- COLLEGE OF SAINT BENILDE, INC.
11	EPIFANIO	MARY JOYCEE	GENOVA	EULOGIO (AMANG) RODRIGUEZ INSTITUTE OF SCIENCE & TECHNOLOGY
12	ESGUERRA	DHARLA	TRIA	UNIVERSITY OF SANTO TOMAS
13	ESTILLERO	JURILYN	ESQUIERRA	MAPUA UNIVERSITY (FOR M.I.T.) - MANILA
14	ESTRELLA	KURT DUSTIN	CHUA	UNIVERSITY OF THE EAST-CALOOCAN
15	FABILA	DHANNA CZARENE	LIMIN	UNIVERSITY OF SANTO TOMAS
16	FAMISAN	STEPHON KEITH	VIADO	UNIVERSITY OF SANTO TOMAS
17	FANER	STEPHANIE MAE	CASTILLO	BATANGAS STATE UNIVERSITY - ALANGILAN
18	FEDERIZON	VICTORIA	VILLEGAS	UNIVERSITY OF SANTO TOMAS
19	FELIX	MA. FRANCESCA	PUNZALAN	UNIVERSITY OF SANTO TOMAS
20	FERNANDEZ	ALYSSA MAE	OCAMPO	UNIVERSITY OF SANTO TOMAS

REMINDER: USE SAME NAME IN ALL EXAMINATION FORMS. IF THERE IS AN ERROR IN SPELLING AND OTHER DATA KINDLY REQUEST YOUR ROOM WATCHERS TO CORRECT IT ON THE FIRST DAY OF EXAMINATION. REPORT TO YOUR ROOM ON OR BEFORE 6:30 A.M. LATE EXAMINEES WILL NOT BE ADMITTED.



MANILA
INTERIOR DESIGNER
JULY 2, 3 & 4, 2024

School : DOÑA ELENA TOWER

Address : P. SANCHEZ CORNER 3RD STREET, STA.MESA, MANILA

Building : PENT HOUSE A

Floor : 11TH

Room/Grp No. :
GROUP 8

Seat No.	Last Name	First Name	Middle Name	School Attended
1	FERRER	SOPHIA MARGARETT	DATO-ON	DE LA SALLE- COLLEGE OF SAINT BENILDE, INC.
2	FIANZA	XELYNE KHAIRA	LEDSEY	MAPUA UNIVERSITY (FOR M.I.T.) - MANILA
3	FILOSOPO	JOHN WALDINE	DILLA	UNIVERSITY OF SANTO TOMAS
4	FLORES	PATRICIA MAE	LITAN	BATANGAS STATE UNIVERSITY - ALANGILAN
5	FONACIER	JENNIFFER	SEGARRA	UNIVERSITY OF SANTO TOMAS
6	FORTES	GIAN CARLA	NONES	ASSUMPTION COLLEGE-MAKATI
7	FRAGO	EMILOU AIRISH	WAGAN	BATANGAS STATE UNIVERSITY - ALANGILAN
8	FRANCISCO	JANNICA AVIENNE	TING	UNIVERSITY OF SANTO TOMAS
9	FRANCISCO	VERONICA SAMANTHA		UNIVERSITY OF SANTO TOMAS
10	FUENTES	LEIZEL	MERGENIO	POLYTECHNIC UNIVERSITY OF THE PHILIPPINES-MAIN-STA. MESA
11	GACOSCOS	JHEMAR	FULGUERAS	UNIVERSITY OF NORTHERN PHILIPPINES-VIGAN
12	GAGARIN	CZARENE JULIANNE	CARSOLA	COLLEGE OF THE HOLY SPIRIT OF MANILA
13	GALANTO	HANNAH IZABELLA	TABALOC	PHILIPPINE SCHOOL OF INTERIOR DESIGN
14	GALLARDO	KATRINA DANIELLE	MANALO	UNIVERSITY OF SANTO TOMAS
15	GALPO	LISA ANGELLE	ESPAÑO	UNIVERSITY OF SANTO TOMAS
16	GAMEZ	BETTINA MAREN	QUERIJERO	UNIVERSITY OF SANTO TOMAS
17	GAPUSAN	ROSANIE ANNE	MONJE	UNIVERSITY OF SAINT LOUIS-TUGUEGARAO
18	GARCIA	WILKENT	GALAMGAM	UNIVERSITY OF NORTHERN PHILIPPINES-VIGAN
19	GASATAYA	ANDREW JOE		LA CONSOLACION COLLEGE-BACOLOD CITY
20	GAYOMA	ANNIKA	VILLANUEVA	UNIVERSITY OF SANTO TOMAS

REMINDER: USE SAME NAME IN ALL EXAMINATION FORMS. IF THERE IS AN ERROR IN SPELLING AND OTHER DATA KINDLY REQUEST YOUR ROOM WATCHERS TO CORRECT IT ON THE FIRST DAY OF EXAMINATION. REPORT TO YOUR ROOM ON OR BEFORE 6:30 A.M. LATE EXAMINEES WILL NOT BE ADMITTED.



MANILA
INTERIOR DESIGNER
JULY 2, 3 & 4, 2024

School : DOÑA ELENA TOWER

Address : P. SANCHEZ CORNER 3RD STREET, STA.MESA, MANILA

Building : PENT HOUSE B

Floor : 11TH

Room/Grp No. :
GROUP 1

Seat No.	Last Name	First Name	Middle Name	School Attended
1	GERONIMO	NIÑA ALEXA	QUERIJERO	UNIVERSITY OF SANTO TOMAS
2	GIGANTONE	JAYSON	TAMBIGA	EULOGIO (AMANG) RODRIGUEZ INSTITUTE OF SCIENCE & TECHNOLOGY
3	GO	RIKAH CLAUDETTE	NANCA	UNIVERSITY OF SANTO TOMAS
4	GO	SHANNINA AZANDRA	BUNA	DE LA SALLE- COLLEGE OF SAINT BENILDE, INC.
5	GREGORIO	ZUZAINIE MARIE	BELARMINO	UNIVERSITY OF SANTO TOMAS
6	GUEVARRA	REGINE	LAVAPIE	MAPUA UNIVERSITY (FOR M.I.T.) - MANILA
7	GUILLARTE	SOPHIA DIANNE	EJERCITO	SAINTE SCHOLASTICA'S COLLEGE
8	GUIPIT	CHRISTINA ZOILAMAR	KALAW	UNIVERSITY OF SANTO TOMAS
9	HAGAD	MARGARET THERESE	SICANGCO	DE LA SALLE- COLLEGE OF SAINT BENILDE, INC.
10	HERRERA	JAN MYKA	IGNACIO	UNIVERSITY OF SANTO TOMAS
11	HICAP	ANDREA FRANCHESKA	LOMIBAO	SCHOOL OF FASHION AND THE ARTS (SOFA), INC. - MAKATI
12	HOSENILLA	MARY BEATRIX		UNIVERSITY OF SANTO TOMAS
13	HUBILLA	ARTURO GENEROSO	MAÑALAC	PHILIPPINE SCHOOL OF INTERIOR DESIGN
14	HUNGGO	WENDELYN MAE ANN	DEQUIÑA	UNIVERSITY OF SAN AGUSTIN
15	IGNACIO	SOPHIA DENISE	GONZALES	PHILIPPINE SCHOOL OF INTERIOR DESIGN
16	ILAO	LYRA ALYANNA	MACARAIG	DE LA SALLE- COLLEGE OF SAINT BENILDE, INC.
17	JAMORALIN	MARICRIS	JAO	POLYTECHNIC UNIVERSITY OF THE PHILIPPINES-MAIN-STA. MESA
18	JOLOYOHOY	KIRSTEN	SALIGUMBA	UNIVERSITY OF THE PHILIPPINES-DILIMAN
19	JOSE	JOEL JR	SILAC	UNIVERSITY OF NORTHERN PHILIPPINES-VIGAN

REMINDER: USE SAME NAME IN ALL EXAMINATION FORMS. IF THERE IS AN ERROR IN SPELLING AND OTHER DATA KINDLY REQUEST YOUR ROOM WATCHERS TO CORRECT IT ON THE FIRST DAY OF EXAMINATION. REPORT TO YOUR ROOM ON OR BEFORE 6:30 A.M. LATE EXAMINEES WILL NOT BE ADMITTED.



MANILA
INTERIOR DESIGNER
JULY 2, 3 & 4, 2024

School : DOÑA ELENA TOWER

Address : P. SANCHEZ CORNER 3RD STREET, STA.MESA, MANILA

Building : PENT HOUSE B

Floor : 11TH

Room/Grp No. :
GROUP 2

Seat No.	Last Name	First Name	Middle Name	School Attended
1	JUMARANG	FRANCHEZKA JOHNNA	BAÑEZ	DE LA SALLE- COLLEGE OF SAINT BENILDE, INC.
2	JUNGCO	JAMELLYN AIRA	SUMUGAT	UNIVERSITY OF SANTO TOMAS
3	LABAO	ALETA KEISHA	ARCA	UNIVERSITY OF THE PHILIPPINES-DILIMAN
4	LACAMBRA	KYLE MARIE	ELIZAN	EASTERN VISAYAS STATE UNIVERSITY (for.LIT)TACLOBAN
5	LACSON	ANGHELA MICHELLE	OLVIS	PHILIPPINE SCHOOL OF INTERIOR DESIGN
6	LADIAO	YAAKOV	DOHINO	POLYTECHNIC UNIVERSITY OF THE PHILIPPINES-MAIN-STA. MESA
7	LAGDAMEO	TERESA ALESSANDRA MILAGROS VICTORIA	CO	DE LA SALLE- COLLEGE OF SAINT BENILDE, INC.
8	LAGMAN	ALMA MARIE	DUNGCA	PHILIPPINE SCHOOL OF INTERIOR DESIGN
9	LAGSA	CHRIS RICHARD	GABAYAN	UNIVERSITY OF THE EAST-CALOOCAN
10	LAGUERTA	AIRA FAYE	ALDOVINO	BATANGAS STATE UNIVERSITY - ALANGILAN
11	LEYEZA	PATRICIA ISABEL	TALLON	UNIVERSITY OF SANTO TOMAS
12	LIVelo	KYLE LORENZ	TORRES	DE LA SALLE- COLLEGE OF SAINT BENILDE, INC.
13	LLAMAS	KYLE ANGELO	SUERTE	UNIVERSITY OF SANTO TOMAS
14	LORENZO	JOANA MARIE	GATUS	UNIVERSITY OF SANTO TOMAS
15	LUMBA	RIO MARIENNE	BARTOLOME	UNIVERSITY OF SANTO TOMAS
16	LUNGAY	WARREN	FAMERO	POLYTECHNIC UNIVERSITY OF THE PHILIPPINES-MAIN-STA. MESA
17	LUPAC	ROSALYN ARMINIA	MARANAN	MAPUA UNIVERSITY (FOR M.I.T.) - MANILA
18	MAALA	MAXENE ISABELLE	ANOS	UNIVERSITY OF SANTO TOMAS
19	MAGNAYE	BANJO	DERIT	BATANGAS STATE UNIVERSITY - ALANGILAN

REMINDER: USE SAME NAME IN ALL EXAMINATION FORMS. IF THERE IS AN ERROR IN SPELLING AND OTHER DATA KINDLY REQUEST YOUR ROOM WATCHERS TO CORRECT IT ON THE FIRST DAY OF EXAMINATION. REPORT TO YOUR ROOM ON OR BEFORE 6:30 A.M. LATE EXAMINEES WILL NOT BE ADMITTED.



MANILA
INTERIOR DESIGNER
JULY 2, 3 & 4, 2024

School : DOÑA ELENA TOWER

Address : P. SANCHEZ CORNER 3RD STREET, STA.MESA, MANILA

Building : PENT HOUSE C

Floor : 11TH

Room/Grp No. :
GROUP 2

Seat No.	Last Name	First Name	Middle Name	School Attended
1	MAGNO	MARY JANNIE RUTH	ADIC	EASTERN VISAYAS STATE UNIVERSITY (for.LIT)TACLOBAN
2	MALABANAN	STEPHANIE SHINE	LABASAN	BATANGAS STATE UNIVERSITY - ALANGILAN
3	MANALASTAS	ALEXIS PEARL	SUNGA	UNIVERSITY OF SANTO TOMAS
4	MANALO	MANIELYN	CABILIN	BATANGAS STATE UNIVERSITY - ALANGILAN
5	MANCIO	MITZI	GISMA	EASTERN VISAYAS STATE UNIVERSITY (for.LIT)TACLOBAN
6	MANGRUBANG	JUDITH AIRRA	ESCAÑO	UNIVERSITY OF SANTO TOMAS
7	MANZO	ALYSSA GABRIELLE	MILAN	PHILIPPINE SCHOOL OF INTERIOR DESIGN
8	MARIMAT	ANDREA LUZ	SISON	PHILIPPINE WOMEN'S UNIVERSITY-MANILA
9	MARQUEZ	GAILLE LORAINNE	DE JESUS	UNIVERSITY OF THE PHILIPPINES-DILIMAN
10	MARZAN	MARIELLE	TENG	PHILIPPINE SCHOOL OF INTERIOR DESIGN
11	MASALLO	FRANCHESKA MA. CECILIA	LEMI	DE LA SALLE- COLLEGE OF SAINT BENILDE, INC.
12	MAYO	VANESSA JOY	BACSAL	UNIVERSITY OF SANTO TOMAS
13	MAYUGA	MARIA ANDREA CELINE	POSEDIO	UNIVERSITY OF SANTO TOMAS
14	MEDINA	LAWRENCE	BUNYI	PHILIPPINE SCHOOL OF INTERIOR DESIGN
15	MEMBRERE	ANDREI	RABANG	MAPUA UNIVERSITY (FOR M.I.T.) - MANILA
16	MENDOZA	MARTHA NICOLE	SARMIENTO	DE LA SALLE- COLLEGE OF SAINT BENILDE, INC.
17	MENDOZA	ZARA SOFIA	HILARIO	UNIVERSITY OF SANTO TOMAS
18	MERCADO	JOHN CARLO	ANGELES	BATANGAS STATE UNIVERSITY - ALANGILAN
19	MERIA	JEYNNA FRANCESCA	CABOTE	PHILIPPINE SCHOOL OF INTERIOR DESIGN
20	MONDERO	KEVIN JULIUS	HONDOLERO	DE LA SALLE- COLLEGE OF SAINT BENILDE, INC.

REMINDER: USE SAME NAME IN ALL EXAMINATION FORMS. IF THERE IS AN ERROR IN SPELLING AND OTHER DATA KINDLY REQUEST YOUR ROOM WATCHERS TO CORRECT IT ON THE FIRST DAY OF EXAMINATION. REPORT TO YOUR ROOM ON OR BEFORE 6:30 A.M. LATE EXAMINEES WILL NOT BE ADMITTED.



MANILA
INTERIOR DESIGNER
JULY 2, 3 & 4, 2024

School : DOÑA ELENA TOWER

Address : P. SANCHEZ CORNER 3RD STREET, STA.MESA, MANILA

Building : PENT HOUSE C

Floor : 11TH

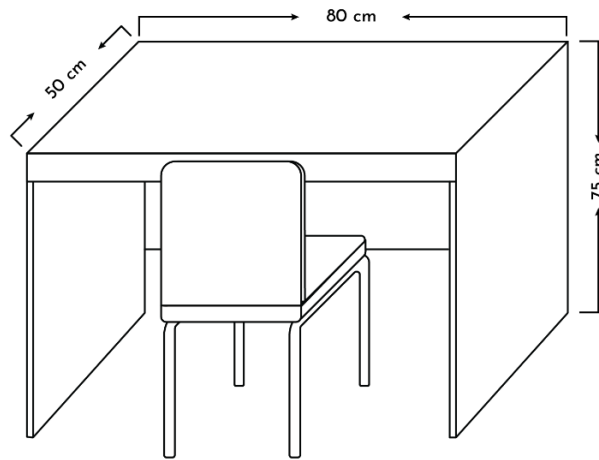
Room/Grp No. :
GROUP 3

Seat No.	Last Name	First Name	Middle Name	School Attended
1	MONTALVO	MIKAELA CHRISTINE	COSTUNA	UNIVERSITY OF SANTO TOMAS
2	MONTES	LADY DAWN	MACASERO	EULOGIO (AMANG) RODRIGUEZ INSTITUTE OF SCIENCE & TECHNOLOGY
3	MORA	MARK ANGELO	PABLO	UNIVERSITY OF SAINT LOUIS-TUGUEGARAO
4	MORENO	JESRY	ESTRANGERO	UNIVERSITY OF SAN AGUSTIN
5	MORES	FATIMA FLOR	ABELIDO	EASTERN VISAYAS STATE UNIVERSITY (for.LIT)TACLOBAN
6	MOSTER	ANNE MARIE	MANIGAO	UNIVERSITY OF SANTO TOMAS
7	MOTAS	KATRINE	RAMIREZ	BATANGAS STATE UNIVERSITY - ALANGILAN
8	MUNJI	JERMELA IRA	RANILLO	DE LA SALLE- COLLEGE OF SAINT BENILDE, INC.
9	NABOR	NIANNE FRANCES	MAGRO	DE LA SALLE- COLLEGE OF SAINT BENILDE, INC.
10	NAJORRA	CHARMAINE AIRA	MADRIAGA	UNIVERSITY OF SAINT LOUIS-TUGUEGARAO
11	NAVARRO	MIKA	CLAUNA	UNIVERSITY OF SANTO TOMAS
12	NAZARIO	POCHOLO ANTON	SALINAS	UNIVERSITY OF SANTO TOMAS
13	NG	DANDY	PANCHO	POLYTECHNIC UNIVERSITY OF THE PHILIPPINES-MAIN-STA. MESA
14	NGO	NATHALIE	DICHOSON	UNIVERSITY OF SANTO TOMAS
15	NIEGAS	ROLANDO JR	BALSOMO	EASTERN VISAYAS STATE UNIVERSITY (for.LIT)TACLOBAN
16	OGARTE	JAZZYN MAE	BAUTISTA	UNIVERSITY OF SANTO TOMAS
17	OMADLE	LINKY	REYES	DE LA SALLE- COLLEGE OF SAINT BENILDE, INC.
18	OMEGA	STEPHANIE LYNN	BALBUENA	EASTERN VISAYAS STATE UNIVERSITY (for.LIT)TACLOBAN
19	ONG	GEONELLE ANNE	LIM	UNIVERSITY OF SANTO TOMAS
20	ONG	KIMBERLY MAE	GUBATAO	SAINT SCHOLASTICA'S COLLEGE

REMINDER: USE SAME NAME IN ALL EXAMINATION FORMS. IF THERE IS AN ERROR IN SPELLING AND OTHER DATA KINDLY REQUEST YOUR ROOM WATCHERS TO CORRECT IT ON THE FIRST DAY OF EXAMINATION. REPORT TO YOUR ROOM ON OR BEFORE 6:30 A.M. LATE EXAMINEES WILL NOT BE ADMITTED.

To All NCR (Metro Manila) examinees for the July 2024 INTERIOR DESIGN Licensure Examinations:

Please be informed that the tables to be used for the licensure examinations in the examination venue are with dimensions stated in the attached photos.



For those who will opt to bring extra table for their personal use/supplies, please be informed that the allowed table should **ONLY** have a dimension not exceeding 110 Centimeters in **LENGTH** and 40-45 Centimeters in **WIDTH**. Tables exceeding the said dimensions will not be allowed.

For your information.



MANILA
INTERIOR DESIGNER
JULY 2, 3 & 4, 2024

School : DOÑA ELENA TOWER

Address : P. SANCHEZ CORNER 3RD STREET, STA.MESA, MANILA

Building : PENT HOUSE C

Floor : 11TH

Room/Grp No. :
GROUP 4

Seat No.	Last Name	First Name	Middle Name	School Attended
1	ONG	WINXIBELLE	SONG	UNIVERSITY OF SANTO TOMAS
2	ORDA	JOYCE	GARCIA	UNIVERSITY OF THE PHILIPPINES-DILIMAN
3	ORDAS	MA. AURORA	DY	UNIVERSITY OF SANTO TOMAS
4	ORDINARIO	ERIKA MARI	BARON	DE LA SALLE- COLLEGE OF SAINT BENILDE, INC.
5	PADIOS	GLENDA	TABARNILLA	UNIVERSITY OF NORTHERN PHILIPPINES-VIGAN
6	PALICPIC	ALESSANDRA FRANCINE	ROSALES	UNIVERSITY OF SANTO TOMAS
7	PALILEO	MARY ROSE GLOVELLE	SANTOS	PHILIPPINE SCHOOL OF INTERIOR DESIGN
8	PALOYO	GIAN CARLA	DOLANDOLAN	UNIVERSITY OF SANTO TOMAS
9	PANOPIO	PAULINA YSABEL	BUENAVENTURA	UNIVERSITY OF SANTO TOMAS
10	PASCUAL	SOFIA RAPHAELLE	MANLAPAZ	PHILIPPINE SCHOOL OF INTERIOR DESIGN
11	PEÑALOZA	ANA PATRICIA	MANABAT	UNIVERSITY OF SANTO TOMAS
12	PERALTA	BEATRISHA MAE	CHU	DE LA SALLE- COLLEGE OF SAINT BENILDE, INC.
13	PEREZ	JOEY MAE	LABAYOG	DE LA SALLE- COLLEGE OF SAINT BENILDE, INC.
14	PETALLANO	KARL JAYSON	PILIPÍÑA	UNIVERSITY OF SANTO TOMAS
15	PICAZO	KAYE PATRICIA	MOGOL	UNIVERSITY OF THE PHILIPPINES-DILIMAN
16	PILAR	SAMANTHA JOYCE	RIVADENIERA	UNIVERSITY OF SANTO TOMAS
17	PINGCO	CATHERINE	SAGGE	DE LA SALLE- COLLEGE OF SAINT BENILDE, INC.
18	PUNTIL	ELAIZZA MARIE	FULGENCIO	DE LA SALLE- COLLEGE OF SAINT BENILDE, INC.
19	QUELAPIO	DAPHNE DOMINIQUE	DEJARESCO	UNIVERSITY OF THE PHILIPPINES-DILIMAN
20	QUIAMBAO	JOHN FRANCIS	MONTEFALCON	UNIVERSITY OF THE PHILIPPINES-DILIMAN

REMINDER: USE SAME NAME IN ALL EXAMINATION FORMS. IF THERE IS AN ERROR IN SPELLING AND OTHER DATA KINDLY REQUEST YOUR ROOM WATCHERS TO CORRECT IT ON THE FIRST DAY OF EXAMINATION. REPORT TO YOUR ROOM ON OR BEFORE 6:30 A.M. LATE EXAMINEES WILL NOT BE ADMITTED.



MANILA
INTERIOR DESIGNER
JULY 2, 3 & 4, 2024

School : DOÑA ELENA TOWER

Address : P. SANCHEZ CORNER 3RD STREET, STA.MESA, MANILA

Building : PENT HOUSE C

Floor : 11TH

Room/Grp No. :
GROUP 5

Seat No.	Last Name	First Name	Middle Name	School Attended
1	QUINIVISTA	CHRISTINE LOUISE	SUELTO	BATANGAS STATE UNIVERSITY - ALANGILAN
2	QUINTANA	KYLA	SANTOS	POLYTECHNIC UNIVERSITY OF THE PHILIPPINES-MAIN-STA. MESA
3	RABAGO	JANZEL	RABOY	UNIVERSITY OF NORTHERN PHILIPPINES-VIGAN
4	RAFAEL	FELIX ANDREW	VASQUEZ	POLYTECHNIC UNIVERSITY OF THE PHILIPPINES-MAIN-STA. MESA
5	RAGAY	LENDY JOY	FABIA	POLYTECHNIC UNIVERSITY OF THE PHILIPPINES-MAIN-STA. MESA
6	RAMIRO	MOIRA KAYLA	DE GUZMAN	DE LA SALLE- COLLEGE OF SAINT BENILDE, INC.
7	RAMOS	HANILYN	MORILLO	POLYTECHNIC UNIVERSITY OF THE PHILIPPINES-MAIN-STA. MESA
8	RAMOS	HANNAH	APILADO	UNIVERSITY OF SANTO TOMAS
9	RAMOS	KRISTIN DOMINIQUE	SANTOS	PHILIPPINE SCHOOL OF INTERIOR DESIGN
10	RAMOS	WYNDEL	BAÑAGA	EULOGIO (AMANG) RODRIGUEZ INSTITUTE OF SCIENCE & TECHNOLOGY
11	REBULA	ILEENE KATHRINA	DELA FUENTE	UNIVERSITY OF NORTHERN PHILIPPINES-VIGAN
12	REGALADO	MAEIA NICHELLE	BILASANO	UNIVERSITY OF SANTO TOMAS
13	REGINIO	MA. ALEXANDREA	SANTIAGO	UNIVERSITY OF SANTO TOMAS
14	RELI	ROSE MARY	TOLOSA	EASTERN VISAYAS STATE UNIVERSITY (for.LIT)TACLOBAN
15	RELOVA	MARIA FATIMA	ANTONIO	UNIVERSITY OF SANTO TOMAS
16	REPIZO	ALLIAH MAE	ONQUIT	UNIVERSITY OF SANTO TOMAS
17	REVILLA	MARY LOUDETH	AGUSTIN	POLYTECHNIC UNIVERSITY OF THE PHILIPPINES-MAIN-STA. MESA
18	REYES	ANGELICA JANE	VILLANUEVA	DE LA SALLE- COLLEGE OF SAINT BENILDE, INC.
19	REYES	ELLIS ANNGELINE	RAGOTERO	SCHOOL OF FASHION AND THE ARTS (SOFA), INC. - MAKATI
20	REYES	JOHANA PAULINE	QUE	PHILIPPINE SCHOOL OF INTERIOR DESIGN

REMINDER: USE SAME NAME IN ALL EXAMINATION FORMS. IF THERE IS AN ERROR IN SPELLING AND OTHER DATA KINDLY REQUEST YOUR ROOM WATCHERS TO CORRECT IT ON THE FIRST DAY OF EXAMINATION. REPORT TO YOUR ROOM ON OR BEFORE 6:30 A.M. LATE EXAMINEES WILL NOT BE ADMITTED.



MANILA
INTERIOR DESIGNER
JULY 2, 3 & 4, 2024

School : DOÑA ELENA TOWER

Address : P. SANCHEZ CORNER 3RD STREET, STA.MESA, MANILA

Building : PENT HOUSE C

Floor : 11TH

Room/Grp No. :
GROUP 6

Seat No.	Last Name	First Name	Middle Name	School Attended
1	REYES	JOY STEPHANIE	ZAMORA	LA CONSOLACION COLLEGE-BACOLOD CITY
2	REYES	KATARINA	SIMO	SCHOOL OF FASHION AND THE ARTS (SOFA), INC. - MAKATI
3	REYES	MARIE ANTONETTE	MARAVILLAS	UNIVERSITY OF SANTO TOMAS
4	REYES	MARY JOSEPHINE	MICIANO	DE LA SALLE- COLLEGE OF SAINT BENILDE, INC.
5	REYES	MIKHAELLA JANNIELE	CAC	UNIVERSITY OF SANTO TOMAS
6	REYES	NATHALIE MAY	BUGAYONG	LA CONSOLACION COLLEGE-BACOLOD CITY
7	RITO	JOHNINA ANNE AGAPE	SALTING	SCHOOL OF FASHION AND THE ARTS (SOFA), INC. - MAKATI
8	ROA	CHRISTINE ANNE	ONG	UNIVERSITY OF THE PHILIPPINES-DILIMAN
9	ROBLES	SHENA MAE	CABANTING	UNIVERSITY OF NORTHERN PHILIPPINES-VIGAN
10	ROCAFORT	JHERLIE VEE ANN	CHOY	PHILIPPINE WOMEN'S UNIVERSITY-MANILA
11	ROCERO	LIEZEL MIKAELA	SOLIVEN	PHILIPPINE WOMEN'S UNIVERSITY-MANILA
12	ROMAN	ALYSSA NICOLE	PERAZ	UNIVERSITY OF SANTO TOMAS
13	ROSALDO	NIKKO GILFRED		EASTERN VISAYAS STATE UNIVERSITY (for.LIT)TACLOBAN
14	ROSALES	ANJELIKA MAE	SUMOBA	POLYTECHNIC UNIVERSITY OF THE PHILIPPINES-MAIN-STA. MESA
15	ROSALES	MISCHA ALECSANDRE	BATALLONES	DE LA SALLE- COLLEGE OF SAINT BENILDE, INC.
16	ROSARIO	JIAM LESLIE	CAYABYAB	UNIVERSITY OF SANTO TOMAS
17	RUBIAN	RAENEIR MIKHAIL ELIJAH	EXALTADO	UNIVERSITY OF SANTO TOMAS
18	RUIZ	JAN DEIZLE	ESTANDARTE	DE LA SALLE- COLLEGE OF SAINT BENILDE, INC.
19	SADIO	LEI-ANN JOYCE	FLOR	UNIVERSITY OF SANTO TOMAS
20	SALAZAR	MARIAN KATRINA	TABONES	UNIVERSITY OF THE PHILIPPINES-DILIMAN

REMINDER: USE SAME NAME IN ALL EXAMINATION FORMS. IF THERE IS AN ERROR IN SPELLING AND OTHER DATA KINDLY REQUEST YOUR ROOM WATCHERS TO CORRECT IT ON THE FIRST DAY OF EXAMINATION. REPORT TO YOUR ROOM ON OR BEFORE 6:30 A.M. LATE EXAMINEES WILL NOT BE ADMITTED.



MANILA
INTERIOR DESIGNER
JULY 2, 3 & 4, 2024

School : DOÑA ELENA TOWER

Address : P. SANCHEZ CORNER 3RD STREET, STA.MESA, MANILA

Building : PENT HOUSE C

Floor : 11TH

Room/Grp No. :
GROUP 7

Seat No.	Last Name	First Name	Middle Name	School Attended
1	SALBIBIA	MILLEN	TORIANO	LA CONSOLACION COLLEGE-BACOLOD CITY
2	SALVADOR	JHERIMIE ANNE	TALABIS	DE LA SALLE- COLLEGE OF SAINT BENILDE, INC.
3	SANGALANG	KRISTINE FRANCE	MANUEL	UNIVERSITY OF SANTO TOMAS
4	SANGLAY	JESTER LOUISE	DACASIN	UNIVERSITY OF NORTHERN PHILIPPINES-VIGAN
5	SANIEL-DUAY	MARIA CRISTINA	CLAUDIO	PHILIPPINE SCHOOL OF INTERIOR DESIGN
6	SANJE	SHELLA	VALENCIA	POLYTECHNIC UNIVERSITY OF THE PHILIPPINES-MAIN-STA. MESA
7	SANTIAGO	LUISA MAE	DORIMON	UNIVERSITY OF THE EAST-CALOOCAN
8	SANTOS	CATHLEEN JOY	CRUZ	COLLEGE OF THE HOLY SPIRIT OF MANILA
9	SARMIENTO	ANNE MIA	OLARTE	UNIVERSITY OF SANTO TOMAS
10	SARVIDA	ALIZA GRACE	CASTRO	BATANGAS STATE UNIVERSITY - ALANGILAN
11	SEBROSO	DYANNIE JANE	CASUGBO	PHILIPPINE WOMEN'S COLLEGE OF DAVAO
12	SEMPIO	REINA KRISTINA	GONZALEZ	PHILIPPINE SCHOOL OF INTERIOR DESIGN
13	SEPACIO	JEAN ARON	ROBLES	DE LA SALLE- COLLEGE OF SAINT BENILDE, INC.
14	SILFAVAN	JM	FEROLINO	UNIVERSITY OF SAN AGUSTIN
15	SILVESTRE	ERICA MAE	DE LEON	UNIVERSITY OF SANTO TOMAS
16	SIMBRE	PATRICIA MAE	ILAGAN	COLLEGE OF THE HOLY SPIRIT OF MANILA
17	SINGH	CARMEL THERESE	CORPUZ	UNIVERSITY OF SANTO TOMAS
18	SISING	RENICA JOY	DURAN	UNIVERSITY OF SANTO TOMAS
19	SIVILA	ALENIE JOYCE	SAVELLA	UNIVERSITY OF SANTO TOMAS
20	STEAD	JAELAH	FIGUEROA	MAPUA UNIVERSITY (FOR M.I.T.) - MANILA

REMINDER: USE SAME NAME IN ALL EXAMINATION FORMS. IF THERE IS AN ERROR IN SPELLING AND OTHER DATA KINDLY REQUEST YOUR ROOM WATCHERS TO CORRECT IT ON THE FIRST DAY OF EXAMINATION. REPORT TO YOUR ROOM ON OR BEFORE 6:30 A.M. LATE EXAMINEES WILL NOT BE ADMITTED.



MANILA
INTERIOR DESIGNER
JULY 2, 3 & 4, 2024

School : DOÑA ELENA TOWER

Address : P. SANCHEZ CORNER 3RD STREET, STA.MESA, MANILA

Building : PENT HOUSE D

Floor : 11TH

Room/Grp No. :
GROUP 1

Seat No.	Last Name	First Name	Middle Name	School Attended
1	STEVENS	JAMIELIE ANNE	ARAYON	UNIVERSITY OF SANTO TOMAS
2	TABIOS	RIZZA JOY	MADRID	UNIVERSITY OF THE PHILIPPINES-DILIMAN
3	TADEO	JESSIE BOY	DAMASCO	UNIVERSITY OF NORTHERN PHILIPPINES-VIGAN
4	TAN	ANDREA AUBREY	TAMAYO	UNIVERSITY OF SANTO TOMAS
5	TAN	JASMIN ARIANE	ESTRADA GO	DE LA SALLE- COLLEGE OF SAINT BENILDE, INC.
6	TAN	KASSANDRA ERIN	SEE	UNIVERSITY OF SANTO TOMAS
7	TARIO	ERICKA	BALATUCAN	UNIVERSITY OF THE EAST-CALOOCAN
8	TE	WINONA ALYSSA	TAN	DE LA SALLE- COLLEGE OF SAINT BENILDE, INC.
9	TEMPONGKO	MICAELA GABRIELLE	BENITEZ	DE LA SALLE- COLLEGE OF SAINT BENILDE, INC.
10	THAI	JOSETTE	LEE	UNIVERSITY OF THE PHILIPPINES-DILIMAN
11	TIONGSON	PRECIOUS IRENE	SALINAS	UNIVERSITY OF SANTO TOMAS
12	TORRES	JENNIFER ROSE	AGUILAR	UNIVERSITY OF SANTO TOMAS
13	TORRES	JOHANN MARIE	LOPEZ	UNIVERSITY OF THE PHILIPPINES-DILIMAN
14	TORRES	LANCE	BRIOSO	UNIVERSITY OF SANTO TOMAS
15	TUBONGBANUA	FLORANTE JR	ISULAT	LA CONSOLACION COLLEGE-BACOLOD CITY
16	UMBEO	MIKAELA YSABEL	MANAHAN	UNIVERSITY OF SANTO TOMAS
17	URBANO	KHAREN CHARMAINE	MARAMBA	PHILIPPINE SCHOOL OF INTERIOR DESIGN
18	URREA	ANGELINE GIL	VITUG	UNIVERSITY OF THE EAST-CALOOCAN
19	VALDEZ	KENJI	RESURRECCION	POLYTECHNIC UNIVERSITY OF THE PHILIPPINES-MAIN-STA. MESA

REMINDER: USE SAME NAME IN ALL EXAMINATION FORMS. IF THERE IS AN ERROR IN SPELLING AND OTHER DATA KINDLY REQUEST YOUR ROOM WATCHERS TO CORRECT IT ON THE FIRST DAY OF EXAMINATION. REPORT TO YOUR ROOM ON OR BEFORE 6:30 A.M. LATE EXAMINEES WILL NOT BE ADMITTED.



MANILA
INTERIOR DESIGNER
JULY 2, 3 & 4, 2024

School : DOÑA ELENA TOWER

Address : P. SANCHEZ CORNER 3RD STREET, STA.MESA, MANILA

Building : PENT HOUSE D

Floor : 11TH

Room/Grp No. :
GROUP 2

Seat No.	Last Name	First Name	Middle Name	School Attended
1	VALENZUELA	VERALEE	RANCHES	UNIVERSITY OF SANTO TOMAS
2	VASQUEZ	CARYZZE GWEN	ZOLETA	UNIVERSITY OF SANTO TOMAS
3	VASQUEZ	MEAN SUZETTE	MANALO	DE LA SALLE- COLLEGE OF SAINT BENILDE, INC.
4	VELETE	JERWIN SETH	CABAG	UNIVERSITY OF SAN AGUSTIN
5	VERSOZA	SOFIA NICOLE	LACSON	EULOGIO (AMANG) RODRIGUEZ INSTITUTE OF SCIENCE & TECHNOLOGY
6	VERZOSA	CLAUDINE VERONICA	GARCIA	UNIVERSITY OF SANTO TOMAS
7	VILLANUEVA	MARY JUNETH	MALIC	MAPUA UNIVERSITY (FOR M.I.T.) - MANILA
8	VILLARAMA	LEIGH MARGARET	MAMALATEO	UNIVERSITY OF THE PHILIPPINES-DILIMAN
9	VILLAREAL	JEAN	LLANZANA	UNIVERSITY OF SANTO TOMAS
10	VILVESTRE	KATRINA ERIKA	MARAVILLA	UNIVERSITY OF SANTO TOMAS
11	VITORIO	THERESA	ANDRION	UNIVERSITY OF NORTHERN PHILIPPINES-VIGAN
12	VITTO	MARIAH MORIELLE	SALIGAO	BATANGAS STATE UNIVERSITY - ALANGILAN
13	VIVAR	DANA	CAISIDO	UNIVERSITY OF THE PHILIPPINES-DILIMAN
14	WANG	DERRICK	LIM	MAPUA UNIVERSITY (FOR M.I.T.) - MANILA
15	YANCHA	APRIL NOREEN	CELEMIN	UNIVERSITY OF SANTO TOMAS
16	YLING	SOPHIA CHELSEA	ALMAZAN	PHILIPPINE SCHOOL OF INTERIOR DESIGN
17	YPON	MACINTOSH RAIN	ORCINO	DE LA SALLE- COLLEGE OF SAINT BENILDE, INC.
18	YULO	RANELLE JUNICE	LAURETA	DE LA SALLE- COLLEGE OF SAINT BENILDE, INC.
19	ZAMUCO	ERIN RACHELLE	PE	UNIVERSITY OF SANTO TOMAS

REMINDER: USE SAME NAME IN ALL EXAMINATION FORMS. IF THERE IS AN ERROR IN SPELLING AND OTHER DATA KINDLY REQUEST YOUR ROOM WATCHERS TO CORRECT IT ON THE FIRST DAY OF EXAMINATION. REPORT TO YOUR ROOM ON OR BEFORE 6:30 A.M. LATE EXAMINEES WILL NOT BE ADMITTED.